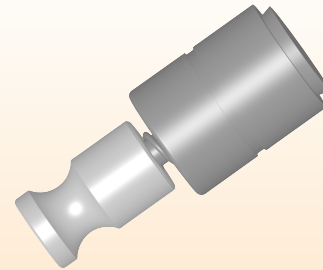
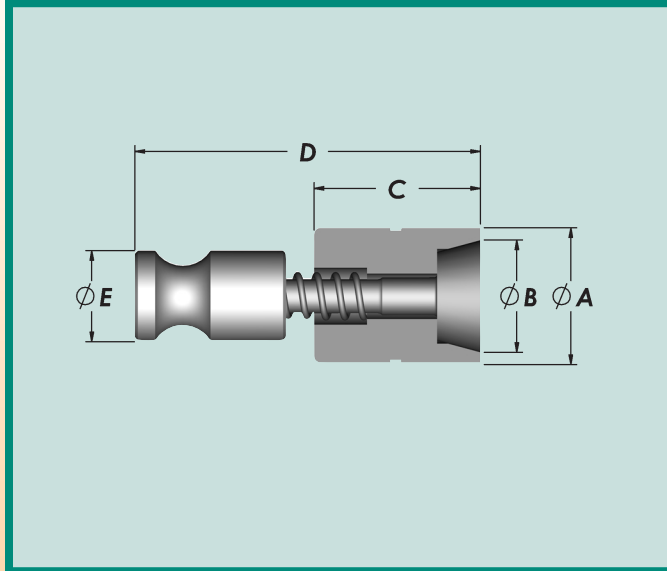




Air Ejectors

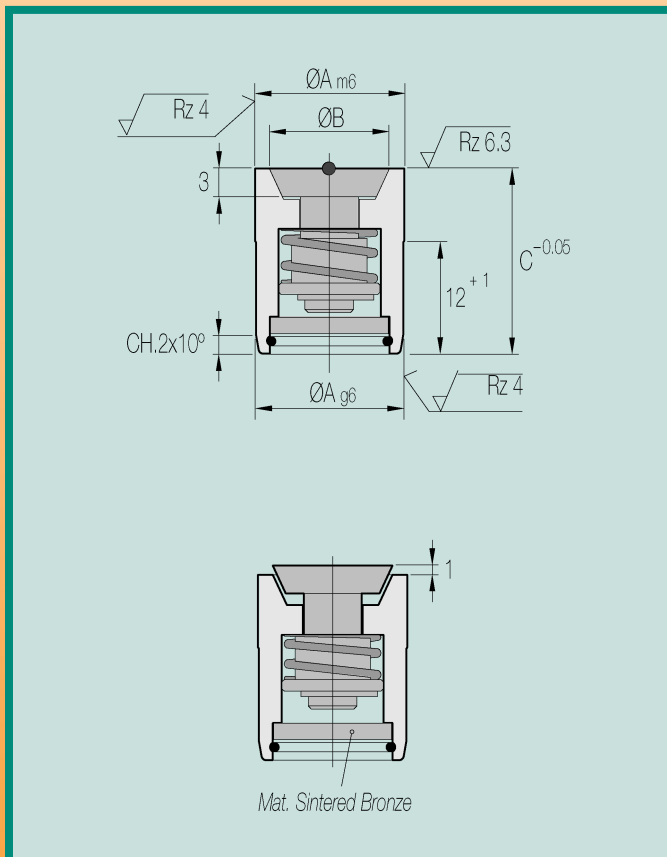
Plunger Style

Metric



• 420 Stainless steel 50-55 Rc

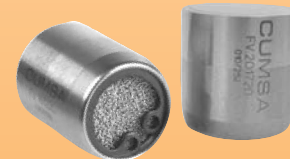
| Catalog Number | A | B | C | D | E |
|----------------|--|------|----|------|----|
| AEP-01 | 8 ^{+0,018} _{+0,007} | 6,6 | 11 | 24 | 6 |
| AEP-02 | 12 ^{+0,018} _{+0,007} | 9,7 | 18 | 34 | 8 |
| AEP-03 | 18 ^{+0,018} _{+0,007} | 14,8 | 22 | 45,5 | 12 |



Air Ejectors

Filtered

Metric



• Incorporating a sintered bronze filter ensuring that debris cannot affect the valve's proper function.

• The material is INOX. 1.4304 HRC 48-54.

| Catalog Number | A | B | C | E |
|----------------|----|----|----|----|
| FV.161320 | 16 | 13 | 20 | 14 |
| FV.201720 | 20 | 17 | 20 | 18 |

CAD files and flash demo at:

CUMSA
www.cumsa.com