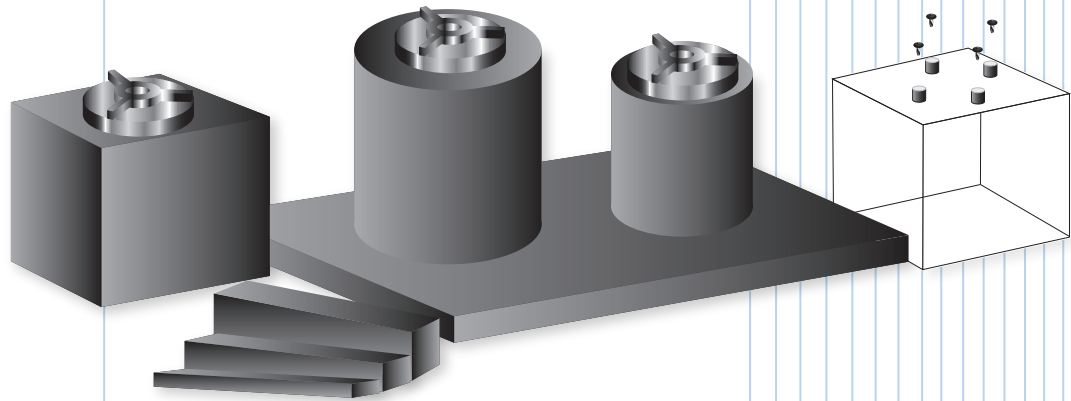


PGM-6



GENERAL

Isomolded, very fine micro grain, high strength, isotropic graphite.

APPLICATION

Micro-grain EDM graphite with exceptional ease of machining and outstanding EDM performance. Provides excellent surface finish and low electrode wear. Best choice for fine detail and intricate EDM electrodes.

PROPERTIES

Bulk Density	1.80 gm/cm ³
Average Grain Size	.0002 in
Specific Resistance	.00070 ohm in
Flexural Strength	13,000 PSI
Compressive Strength	19,000 PSI
Hardness:	70 Shore

FULL STOCKING DISTRIBUTOR OF EDM SUPPLIES, MOLD COMPONENTS & POLISHING SUPPLIES.

11650 96TH AVE. N.
MINNEAPOLIS, MN 55369

PN: 763-424-1189 TF PN: 800-888-9080
FX: 763-424-9460 TF FX: 800-299-9954

WWW.EDMSALESINC.COM

PGM-6