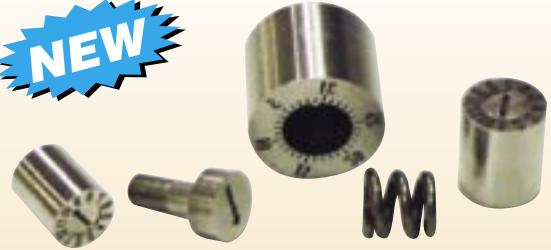
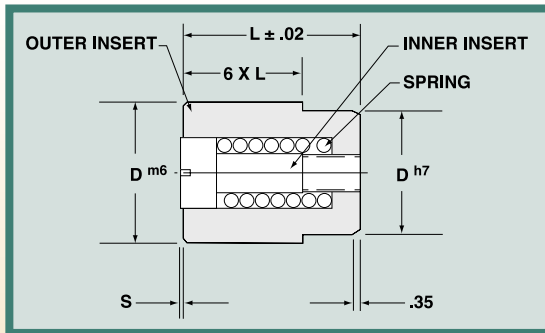




Front Removable Date Stamps Economy Series "E"



NOTE: Press fit installation required in mold.

INSERT ASSEMBLIES

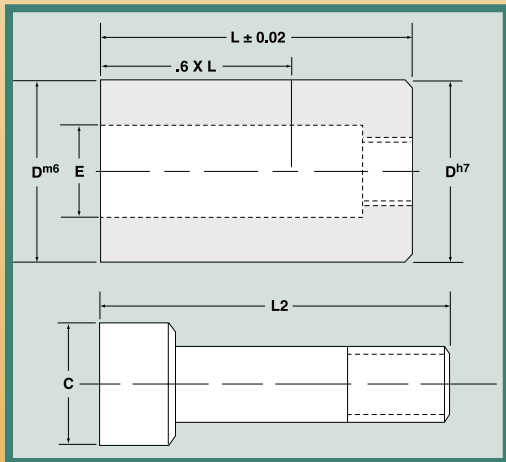
D	L	12 Months w/arrow	12 Months w/arrow/year*	Years/arrow**	Days/arrow	Shifts/arrow	Blank/arrow
4	8	MO408	MO4 x __	A04 x __	DA04	SH04	BLO408
5	8	MO508	MO5 x __	A05 x __	DA05	SH05	BL0508
6	8	MO608	MO6 x __	A06 x __	DA06	SH06	BL0608
8	10	MO810	MO8 x __	A08 x __	DA08	SH08	BL0810
10	12	MO1012	M10 x __	A10 x __	DA10	SH10	BL1012
12	14	MO1214	M12 x __	A12 x __	DA12	SH12	BL1214
16	14	MO1614	M16 x __	A16 x __	DA16	SH16	BL1614
20	16	MO2016	M20 x __	A20 x __	DA20	SH20	BL2016

Material: 420 Stainless; 1.4021;46Hrc+/- 2

- Provides part traceability
- Maximum working Temperature: 300F
- Markings are Laser etched.
- Insert changes can be done from parting line
- Press fit installation required
- Interchangeable with DME Front Removable or Progressive C-series

* When ordering add the year required to the part number (M05 x 07)

**When ordering specify beginning year



NOTE: Press fit installation required in mold.

Replacement Inserts & Bodies

DIMENSIONAL DATA

D(mm) Dia.	E (mm)	L(mm) Length	S(mm) Etch Depth	Tolerance(mm)	
				m6	h7
4	2,1	8	.203	+0,12 to +,004	0 to -,012
5	3,1	8	.203	+0,12 to +,004	0 to -,012
6	3,1	8	.203	+0,12 to +,004	0 to -,012
8	4,4	10	.254	+0,15 to +,006	0 to -,015
10	5,2	12	.3556	+0,15 to +,006	0 to -,015
12	6,2	14	.3556	+0,18 to +,007	0 to -,018
16	8,2	14	.3556	+0,18 to +,007	0 to -,018
20	11	16	.3556	+0,21 to +,008	0 to -,021

REPLACEMENT BODIES

D	L	12 Months	Years*	Days	Shifts	Blank
4	8	MBO4	AB04 __	DBO4	SB04	BLB04
5	8	MBO5	ABO5 __	DBO5	SB05	BLB05
6	8	MBO6	ABO6 __	DBO6	SB06	BLB06
8	10	MBO8	ABO8 __	DBO8	SB08	BLB08
10	12	MB10	AB10 __	DB10	SB10	BLB10
12	14	MB12	AB12 __	DB12	SB12	BLB12
16	14	MB16	AB16 __	DB16	SB16	BLB16
20	16	MB20	AB20 __	DB20	SB20	BLB20

REPLACEMENT INSERTS (with springs)

Arrow Only	Arrow & Year*	C	L2
AR04	AY04 __	2,1	8
AR05	AY05 __	3,1	8
AR06	AY06 __	3,1	8
AR08	AY08 __	4,4	10
AR10	AY10 __	5,2	12
AR12	AY12 __	6,2	14
AR16	AY16 __	8,2	14
AR20	AY20 __	11	16

REPLACEMENT SPRINGS

(pkg of 5)

D(mm) Diameter	Cat. Number
4	RS04
5	RS05
6	RS06
8	RS08
10	RS10
12	RS12
16	RS16
20	RS20

* When ordering add the year required to the part number

* When ordering add the starting year required to the part number