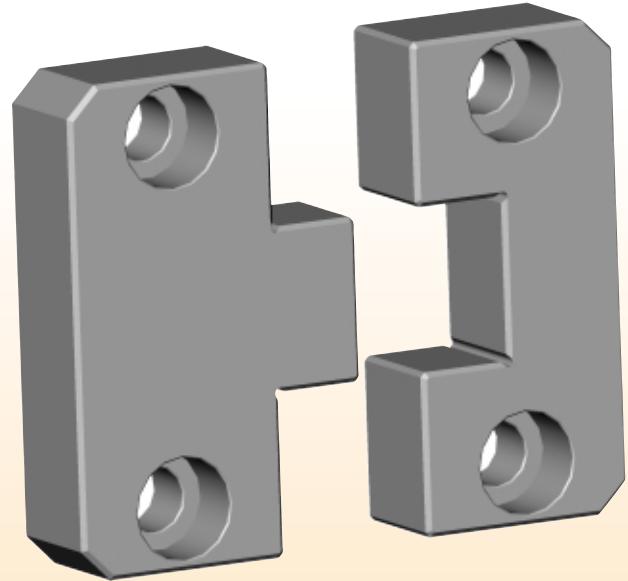
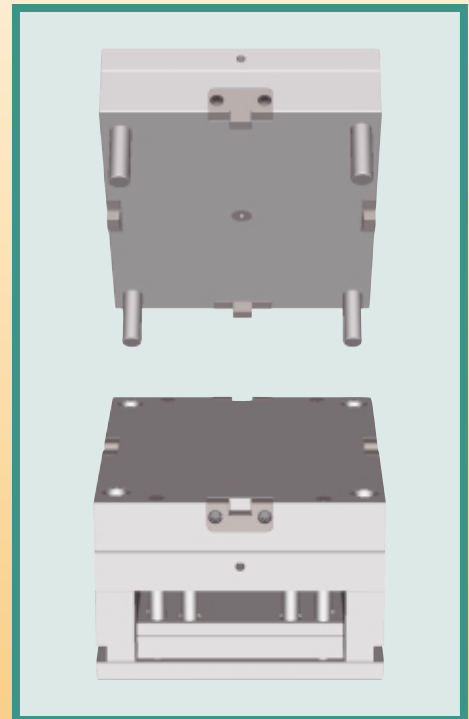
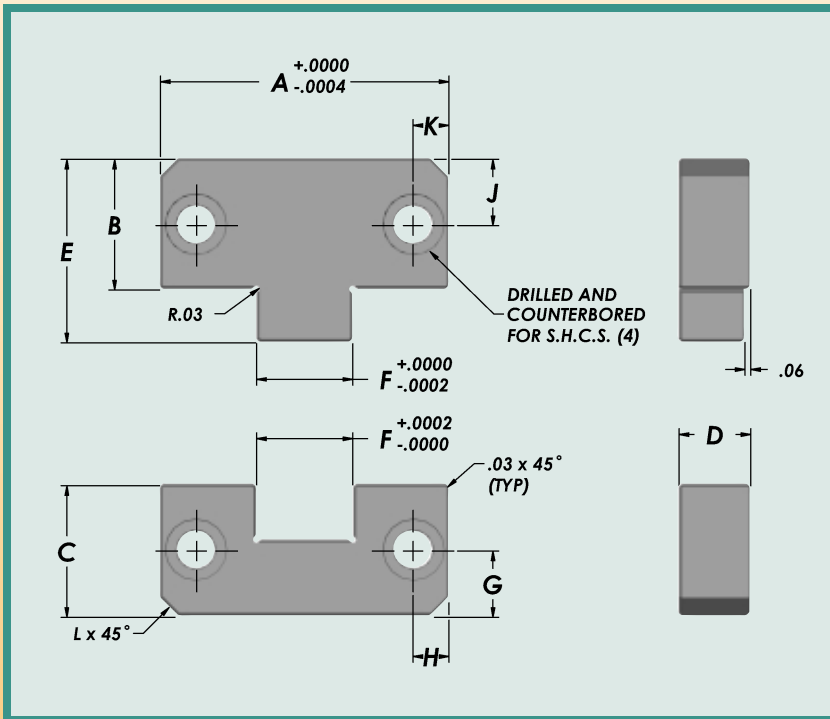


# E Side Locks



Male half:       AISI O2  
                      52-56 Rc  
Female half:     AISI O2  
                      56-58 Rc

- Supplied with socket head cap screws.
- Sold in sets only.



Catalog Number	A +.0000 -.0004	B +.0000 -.0008	C +.0000 -.0008	D +.000 -.002	E	F	G +.010 -.010	H	J	K	L	SHCS
ESL-1.5	1.500	.870	.870	.620	1.180	.500	.281	.281	.437	.281	.190	1/4-20 X 3/4
ESL-2.0	2.000	.870	.870	.620	1.180	.680	.375	.375	.437	.375	.190	1/4-20 X 3/4
ESL-3.0	3.000	1.360	1.370	.745	1.910	1.000	.688	.375	.688	.375	.190	3/8-16 X 1"
ESL-4.0	4.000	1.870	1.870	.745	2.640	1.375	.875	.625	.875	.625	.500	3/8-16 X 1"
ESL-5.0	5.000	1.870	1.870	1.120	2.640	1.750	.875	.750	.875	.750	.500	1/2-13 X 1-1/4