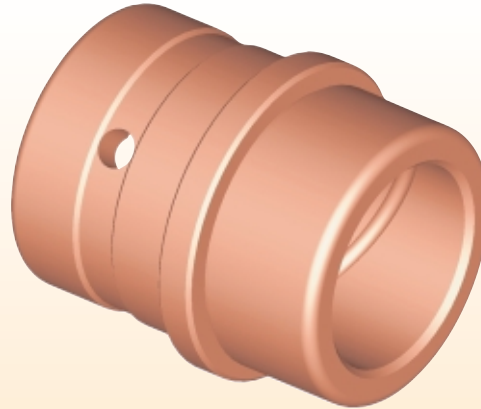
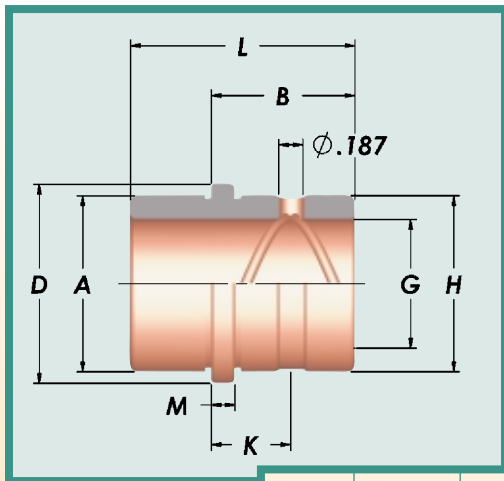


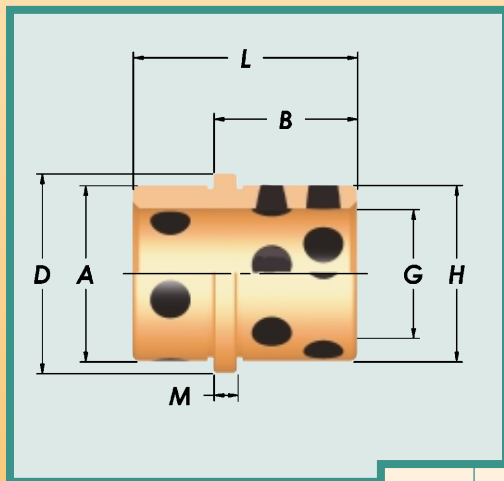


# Guided Ejector Bushings Bronze Plated



Nominal I.D.	G +.0005 -.0000	H +.0005 -.0000	A +.000 -.001	D +.000 -.010	L +.000 -.030	B +.000 -.015	M +.000 -.005	K	Catalog Number
3/4	.751	1.1255	1.1240	1.302	1.50	1.00	.187	.560	ELB-750
7/8	.876	1.2505	1.2490	1.427	1.50	1.00	.187	.560	ELB-875
1"	1.001	1.3755	1.3740	1.552	1.75	1.12	.187	.620	ELB-100
1-1/4	1.251	1.6255	1.6240	1.802	1.75	1.12	.187	.620	ELB-125
1-1/2	1.501	2.0005	1.9990	2.177	1.75	1.12	.187	.620	ELB-150
2"	2.001	2.5005	2.4990	2.687	2.25	1.62	.187	.800	ELB-200

# Guided Ejector Bushings Self-Lubricating



Nominal I.D.	G +.0005 -.0000	H +.0005 -.0000	A +.000 -.001	D +.000 -.010	L +.000 -.030	B +.000 -.015	M +.000 -.005	Catalog Number
3/4	.751	1.1255	1.1240	1.302	1.500	1.000	.187	GEB-06SL
7/8	.876	1.2505	1.2490	1.427	1.500	1.000	.187	GEB-07SL
1"	1.001	1.3755	1.3740	1.552	1.750	1.125	.187	GEB-08SL
1"	1.001	1.3755	1.3740	1.552	2.000	1.625	.187	GEB-08SLX
1-1/4	1.251	1.6255	1.6240	1.802	1.750	1.125	.187	GEB-10SL
1-1/4	1.251	1.6255	1.6240	1.802	2.500	1.875	.187	GEB-10SLX
1-1/2	1.501	2.0005	1.9990	2.177	1.750	1.125	.187	GEB-12SL
1-1/2	1.501	2.0005	1.9990	2.177	2.500	1.875	.187	GEB-12SLX
2"	2.001	2.5005	2.4990	2.687	2.250	1.625	.187	GEB-20SL