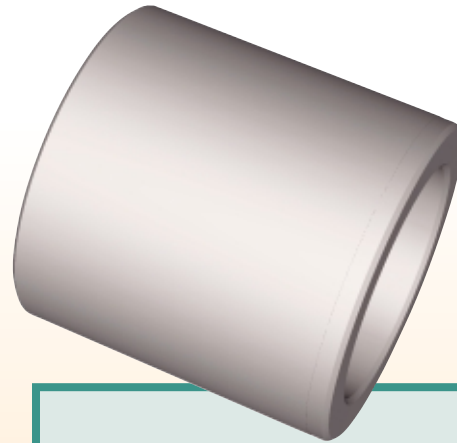
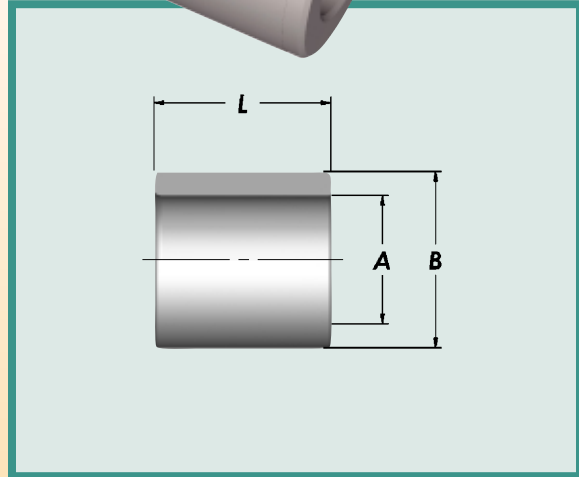




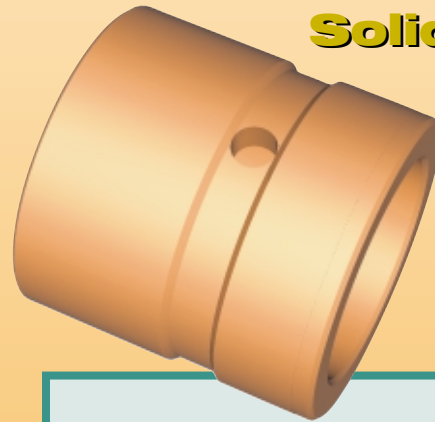
Straight Bushings Steel



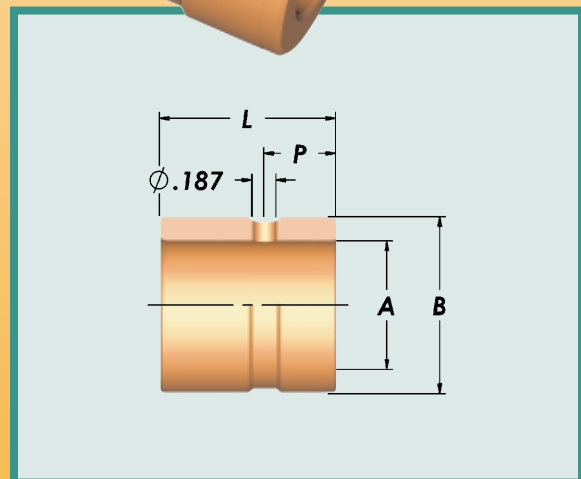
Catalog Number	Nominal I.D.	A I.D. +.0005 -.0000	B O.D. +.0005 -.0000	L
2500	3/4	.7505	1.1255	7/8
2501	3/4	.7505	1.1255	1-3/8
2502	7/8	.8755	1.2505	1-3/8
2503	1"	1.0005	1.3755	1-3/8
2504	1-1/4	1.2505	1.6255	1-3/8
2505	1-1/4	1.2505	1.6255	1-7/8
2506	1-1/2	1.5005	2.0005	1-3/8
2507	1-1/2	1.5005	2.0005	1-7/8
2508	2"	2.0005	2.5005	3-7/8
2509	2-1/2	2.5005	3.2505	4-7/8



Straight Bushings Solid Bronze



Catalog Number	Nominal I.D.	A I.D. +.0005 -.0000	B O.D. +.0005 -.0000	P	L
2500SB	3/4	.7505	1.1255	*	7/8
2501SB	3/4	.7505	1.1255	.56	1-3/8
2502SB	7/8	.8755	1.2505	.56	1-3/8
2503SB	1"	1.0005	1.3755	.56	1-3/8
2504SB	1-1/4	1.2505	1.6255	.56	1-3/8
2505SB	1-1/4	1.2505	1.6255	.56	1-7/8
2506SB	1-1/2	1.5005	2.0005	.56	1-3/8
2507SB	1-1/2	1.5005	2.0005	.56	1-7/8
2508SB	2"	2.0005	2.5005	1.56	3-7/8



* No grease groove or hole on 7/8 long bushings.