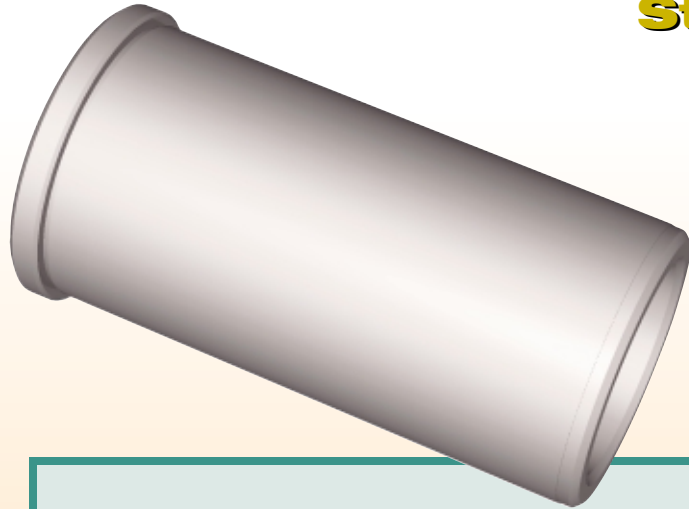


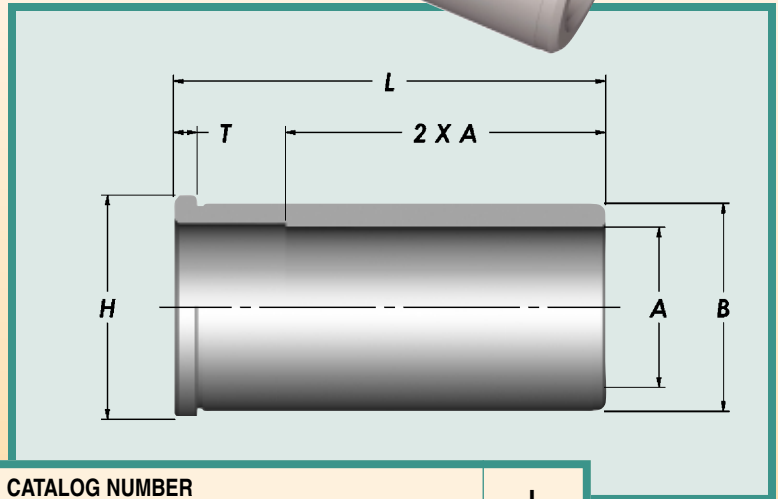


Shoulder Bushings

Steel



General Dimensions and Tolerances				
Nominal I.D.	A +.0005 -.0000	B +.0005 -.0000	H +.000 -.010	T +.000 -.005
3/4	.7505	1.1255	1.250	3/16
7/8	.8755	1.2505	1.375	3/16
1"	1.0005	1.3755	1.500	3/16
1-1/4	1.2505	1.6255	1.750	3/16
1-1/2	1.5005	2.0005	2.125	3/16
2"	2.0005	2.5005	2.625	3/16
2-1/2	2.5005	3.2505	3.375	3/16
3"	3.0005	3.7505	3.937	1/2



L	CATALOG NUMBER				L
	A=3/4"	A=7/8"	A=1"	A=1-1/4"	
7/8	2700	2710	2730	2750	7/8
1-3/8	2701	2711	2731	2751	1-3/8
1-7/8	2702	2712	2732	2752	1-7/8
2-3/8	2703	2713	2733	2753	2-3/8
2-7/8	2704	2714	2734	2754	2-7/8
3-3/8	2705	2715	2735	2755	3-3/8
3-7/8	2706	2716	2736	2756	3-7/8
4-3/8	2707	2717	2737	2757	4-3/8
4-7/8	2708	2718	2738	2758	4-7/8
5-7/8	2709	2720	2740	2760	5-7/8
7-7/8					7-7/8

L	CATALOG NUMBER				L
	A=1-1/2"	A=2"	A=2-1/2"	A=3"	
7/8	2770				7/8
1-3/8	2771	2901	2951		1-3/8
1-7/8	2772	2902	2952		1-7/8
2-3/8	2773	2903	2953		2-3/8
2-7/8	2774	2904	2954		2-7/8
3-3/8	2775	2905	2955		3-3/8
3-7/8	2776	2906	2956	3976	3-7/8
4-3/8	2777	2907	2957		4-3/8
4-7/8	2778	2908	2958	3978	4-7/8
5-7/8	2780	2910	2960	3980	5-7/8
7-7/8				3984	7-7/8