

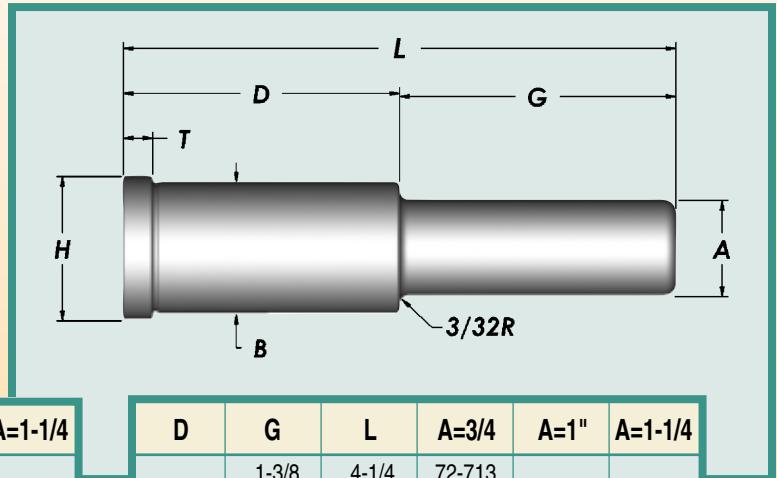


Leader Pins

**Shoulder
3/4 - 1-1/4**



General Dimensions and Tolerances				
Nominal Diameter	A +.0000 -.0005	B +.0005 -.0000	H +.000 -.010	T +.000 -.005
3/4	.749	1.126	1.250	5/16
1"	.999	1.376	1.500	5/16
1-1/4	1.249	1.626	1.750	5/16



D	G	L	A=3/4	A=1"	A=1-1/4
7/8	7/8	1-3/4	70-707		
	1-3/8	2-1/4	70-713		
	2-3/8	3-1/4	70-723		
	2-7/8	3-3/4	70-727	10-727	
1-3/8	7/8	2-1/4	71-307		
	1-3/8	2-3/4	71-313	11-313	
	1-7/8	3-1/4	71-317	11-317	
	2-3/8	3-3/4	71-323		
	2-7/8	4-1/4	71-327	11-327	
1-7/8	3-3/8	4-3/4	71-333	11-333	121-333
	7/8	2-3/4	71-707		
	1-3/8	3-1/4	71-713	11-713	
	1-7/8	3-3/4	71-717	11-717	
	2-3/8	4-1/4	71-723	11-723	121-723
	2-7/8	4-3/4	71-727	11-727	121-727
	3-3/8	5-1/4	71-733	11-733	
2-3/8	3-7/8	5-3/4	71-737	11-737	121-737
	1-3/8	3-3/4	72-313	12-313	
	1-7/8	4-1/4	72-317	12-317	
	2-3/8	4-3/4	72-323	12-323	
	2-7/8	5-1/4	72-327	12-327	122-327
	3-3/8	5-3/4		12-333	
	3-7/8	6-1/4	72-337	12-337	122-337

D	G	L	A=3/4	A=1"	A=1-1/4
2-7/8	1-3/8	4-1/4	72-713		
	1-7/8	4-3/4	72-717	12-717	122-717
	2-3/8	5-1/4	72-723	12-723	122-723
	2-7/8	5-3/4	72-727	12-727	122-727
	3-3/8	6-1/4		12-733	
	3-7/8	6-3/4	72-737	12-737	
3-3/8	4-3/8	7-1/4		12-743	122-743
	1-7/8	5-1/4	73-317	13-317	
	2-3/8	5-3/4	73-323	13-323	123-323
	2-7/8	6-1/4		13-327	
3-7/8	3-3/8	6-3/4	73-333	13-333	123-333
	4-3/8	7-3/4		13-343	123-343
	2-3/8	6-1/4	73-723	13-723	123-723
	2-7/8	6-3/4	73-727	13-727	123-727
	3-3/8	7-1/4			123-733
	3-7/8	7-3/4		13-737	123-737
	4-7/8	8-3/4		13-747	123-747
4-3/8	2-7/8	7-1/4		14-327	
	3-3/8	7-3/4			124-333
	3-7/8	8-1/4		14-337	
	4-3/8	8-3/4		14-343	
	4-7/8	9-1/4			124-347
4-7/8	3-7/8	8-3/4		14-737	124-737
	4-3/8	9-1/4		14-743	
	4-7/8	9-3/4		14-747	124-747
	5-7/8	10-3/4			124-757
5-7/8	3-7/8	9-3/4		15-737	125-737
	4-3/8	10-1/4			125-743
	4-7/8	10-3/4			125-747
	5-7/8	11-3/4		15-757	125-757