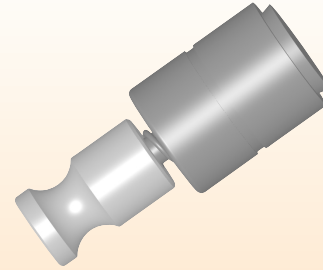
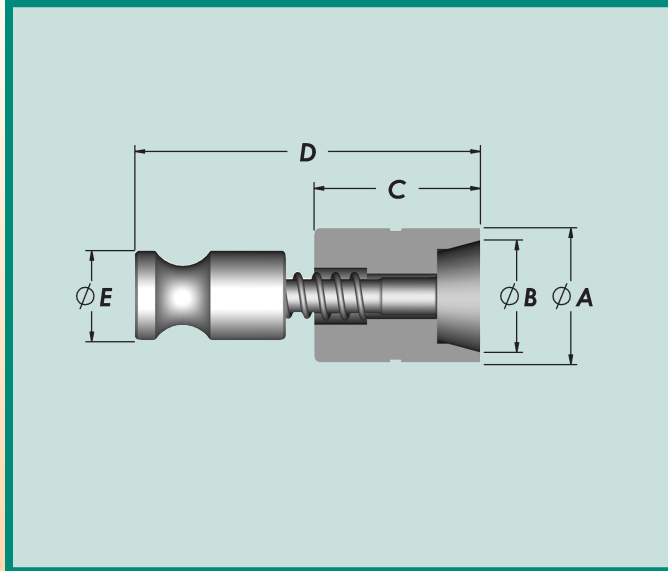




Air Ejectors

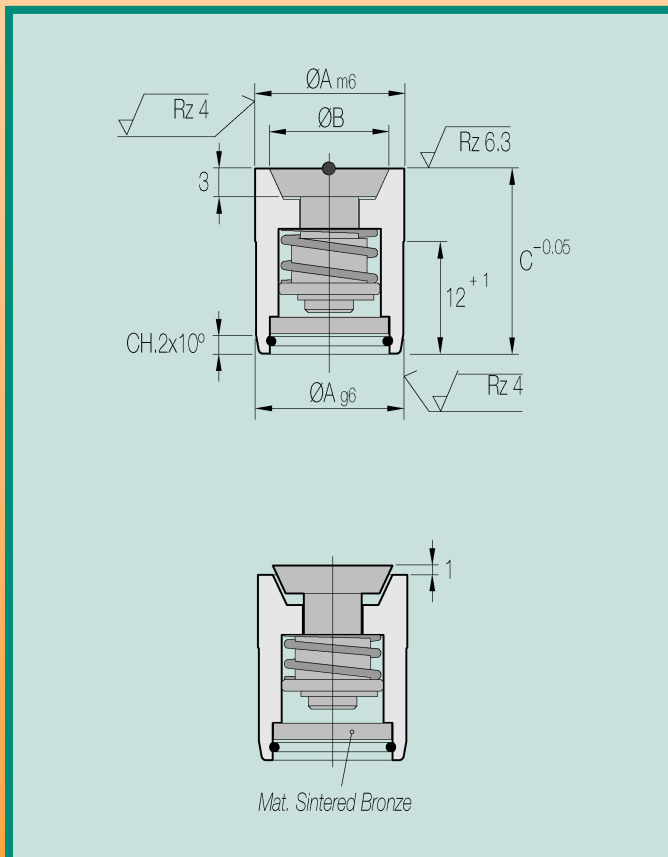
Plunger Style

Metric



• 420 Stainless steel 50-55 Rc

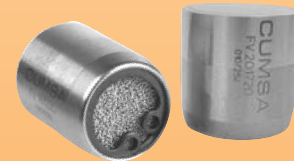
Catalog Number	A	B	C	D	E
AEP-01	8 ^{+0,018} _{+0,007}	6,6	11	24	6
AEP-02	12 ^{+0,018} _{+0,007}	9,7	18	34	8
AEP-03	18 ^{+0,018} _{+0,007}	14,8	22	45,5	12



Air Ejectors

Filtered

Metric



• Incorporating a sintered bronze filter ensuring that debris cannot affect the valve's proper function.

• The material is INOX. 1.4304 HRC 48-54.

Catalog Number	A	B	C	E
FV.161320	16	13	20	14
FV.201720	20	17	20	18

CAD files and flash demo at:

CUMSA
www.cumsa.com